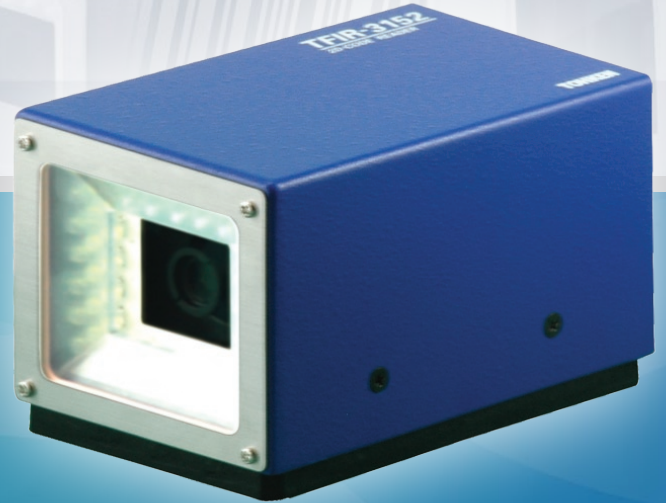


TFIR-3152

“The All-in-One solution for reading bar codes and 2D DPM codes in production environments”



The TFIR-3152 is a compact, high-performance fixed mount reader that bundles integrated lighting, built-in lens, software, processing and communications into a unique industrial-grade design with broad capabilities. It provides a cost-effective, easily deployed solution and robust high read rates.

The unique design of the TFIR-3152 provides the ability to read direct part marks, symbologies on rotated parts, degraded symbologies (damaged, low contrast, ...etc), It also provides flexible working distance which makes this scanner ideal for any identification application.

The auto-calibration feature of the THIR-3152 allows for rapid integration and lowered deployment costs by adjusting all necessary parameters such as contrast and types of image processing with the best possible combination for the symbology used.

The TFIR-3152 fixed mount scanner reads all traditional linear 1D barcodes, stacked 2D symbologies and 2D matrix symbologies. It comes with a built-in digital I/O, serial/USB communications and NTSC composite live Video output.

Applications:

- * Automotive industry
- * Aerospace
- * Healthcare / Pharmaceutical
- * Electronics manufacturers
- * OEM integration

Features:

- * Built-in lighting and Optics for ease of integration
- * Built-in digital I/O and serial/USB communication for open connectivity to other equipment
- * Auto callibration
- * Omni-directional reading (provides more freedom and ease of use to the end user from the broad reading area)
- * Integrated barcode scanning and image capture

Reliable and robust + performance

Build in Lighting +

Omni-Directional + reading

Integrated imaging +

Built-in digital I/O + control

Auto calibration +



Mechanical Characteristics

Dimensions 64 (H) x 68 (W) x 108 (D) (mm)

Electrical Characteristics

Input voltage 10.8 - 26.4 V +/- 10 %
 Power consumption 30 W (average)
 Supported interfaces RS-232C, RS-422A or USB 1.1
 Serial connector type DSUB 15-pin female
 Control I/O connector DSUB 15-pin Male Connector (M2.6)
 Image output NTSC Composite (Live Video Signal)



Supported Barcodes

Linear 1D codes Code 39, JAN, I 20f5, Code 128, Code 93, Codabar/NW7, RSS 14, Composite
 Stacked and 2D codes PDF417, microPDF, Datamatrix, QR code, Maxicode.

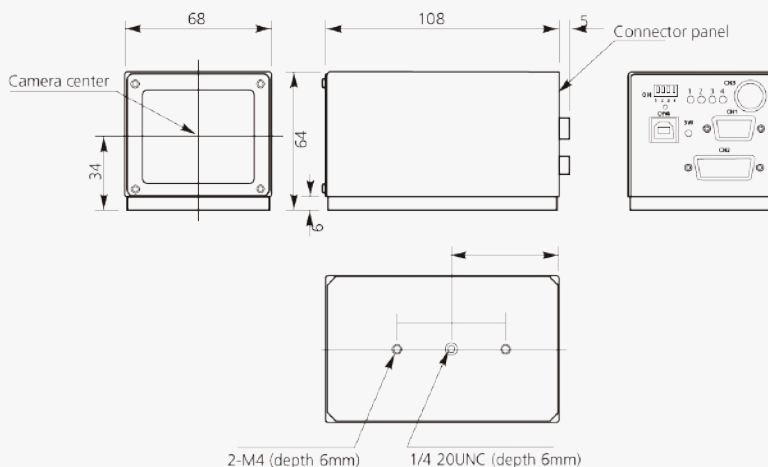
Performance Characteristics

Optical resolution 330,000 pixels (CCD image sensor)
 Min. barcode resolution 6 mil/ 0.15 mm

Environment

Operating temperature 0 - 40 deg C
 Storage temperature -40 - 70 deg C
 Humidity 0 - 80% (non-condensing)
 Environmental Protection IP62 / IP64

Regulatory Information



DOF	NEAR	FAR
1D Barcode		
0.15mm	60 mm	110mm
0.19mm	60 mm	140mm
0.25mm	60 mm	180mm
0.33mm	60 mm	205mm
PDF417		
0.25mm	60 mm	175mm
0.33mm	60 mm	205mm
Datamatrix		
0.25mm	60 mm	110mm
0.38mm	60 mm	140mm
QR Code		
0.25mm	60 mm	110mm
0.33mm	60 mm	140mm
0.89mm	50 mm	260mm

Tohken Europe
 Einsteinstraat 4
 3846 BH
 Harderwijk
 The Netherlands

Tel. +31 (0) 341 470 482
 Fax. +31 (0) 341 470 675

Email: info@tohkeneurope.com
 Web: www.tohkeneurope.com